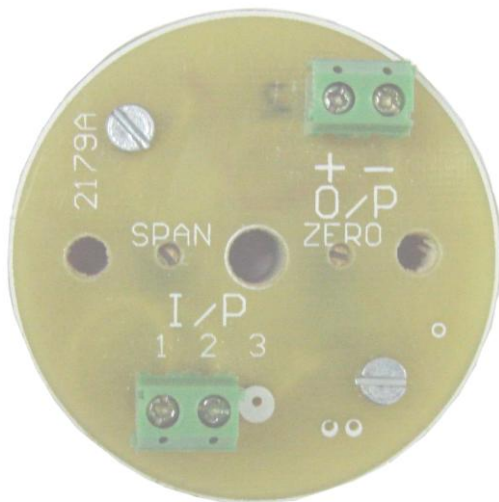
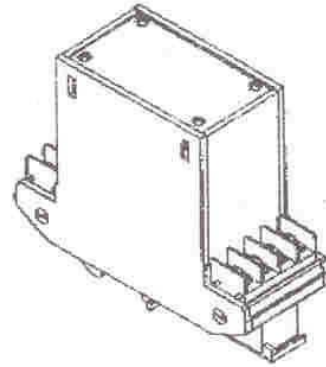


TWO WIRE TRANSMITTER



HEAD MOUNTING



DIN RAIL MOUNTING

The Artech Two Wire Transmitter TX-01, converts voltage, RTD or thermocouple inputs into a 4-20 mA current output. This eliminates the need for special cables as ordinary wires can be used after the transmitter. The transmitter requires no separate power supply as it is powered by energy drawn from the current loop itself and is this intrinsically safe when used with appropriate barriers. The TX-01 can be mounted in a standard thermocouple head in place of the terminal block. Alternately, it can be fitted into suitable weather proof and/or flameproof enclosures.

SPECIFICATIONS :

a) Input Ranges	i) Volts	ii) RTD PT-100	iii) J Type T/C	iv) K Type T/C
	0-20 mV	0-200°C	0-200°C	0-200°C
	0-1 V	0-400°C	0-400°C	0-400°C
				0-800°C
				0-1000°C

(Other ranges can be optionally provided)

b) Output	:	4-20 mA
c) Supply Voltage range	:	10V to 30V DC
d) Ambient Temperature Range	:	0°C to 70°C
	:	(Compensation provided for T/C cold junction)
e) Maximum output cable resistance	:	Approx. 1000 ohms
	:	$R_{max} = \frac{V_{supply} - 8V}{20 \text{ mA}}$
f) Accuracy	:	$\pm 0.1\%$ of Span \pm Sensor non-linearity
g) Dimensions	:	50 mm Dia – 15 mm height